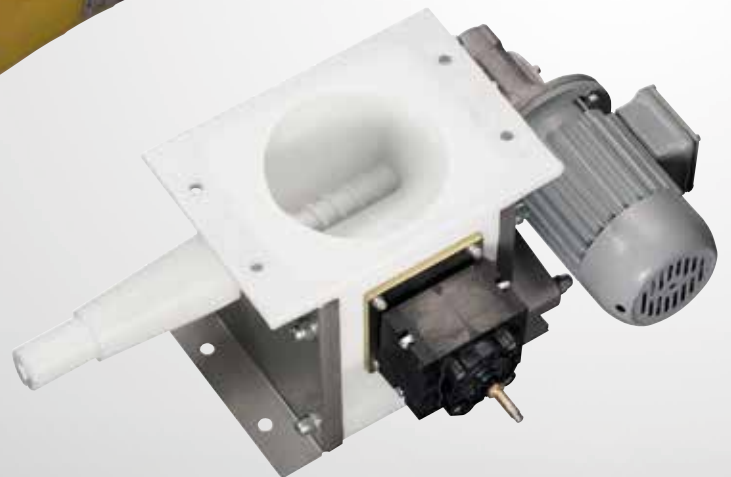


FLEXFLO™ Micro-batch Feeders

MBW

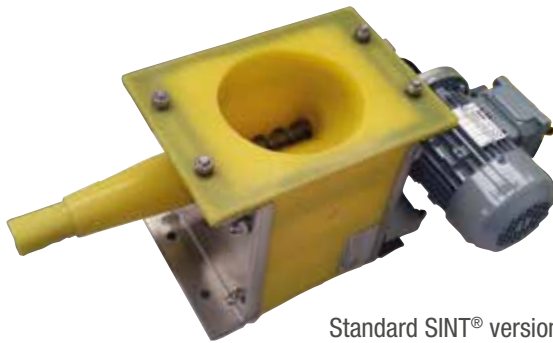


FEEDING OF FREE OR MODERATELY FLOWING MATERIALS

MBW-series Micro-batch Feeders for powdery and granular material feeding are particularly suitable for free flowing and moderately flowing materials which do not tend to pack under pressure.

Fed via a bag opening hopper, a bulk bag discharger, or any other feeding device, the SINT® engineering polymer FLEXFLO™ body with its particular geometry, ensures constant material flow and feeding. To further facilitate material flow an additional pneumatic activator can be fitted on request.

Typically, MBW Micro-batch Feeders are used in plastics processing and animal feed milling, as well as in environmental technology in polyelectrolyte dosing systems.




Standard SINT® version




Food-grade SINT® version


MBW 015
 2 ~ 9 dm³ /h
 0.001 ~ 0.005 cfm



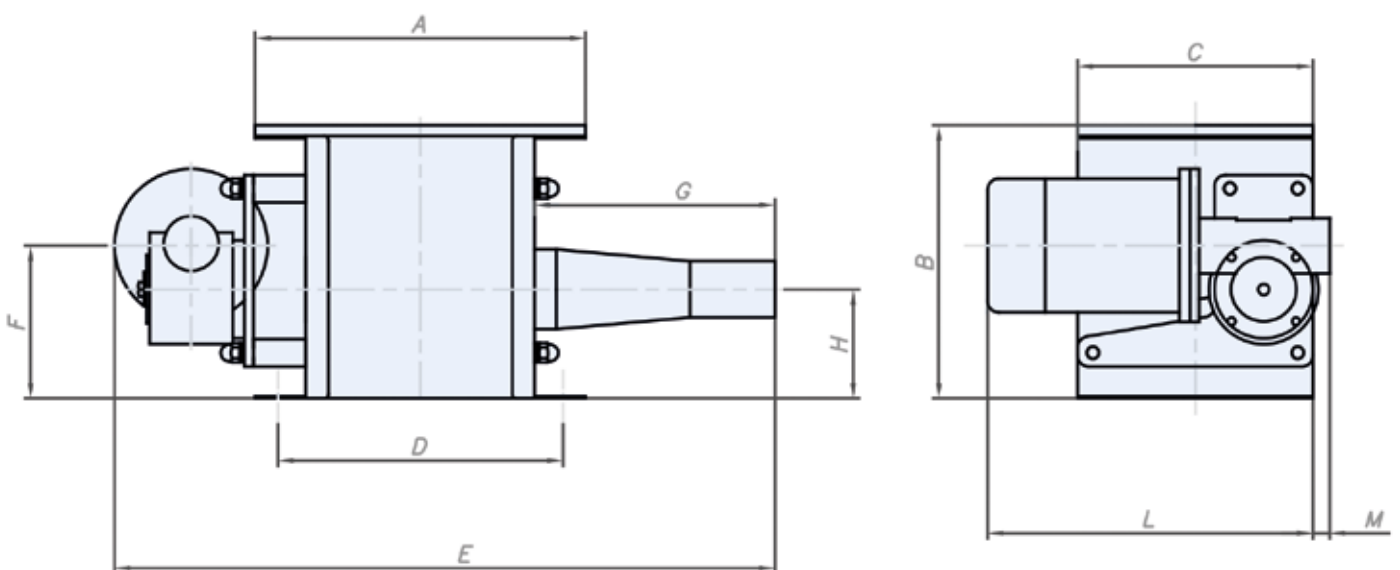
MBW 042
 3 ~ 90 dm³ /h
 0.002 ~ 0.053 cfm



MBW 073
 10 ~ 530 dm³ /h
 0.006 ~ 0.312 cfm



Overall Dimensions



MODEL	A	B	C	D	E	F	G	H	L	M	kg	dm ³
MBW 15	155	134	109	130	322	54	86	54	185	26	8	1
MBW 42	302	250	215	260	642	140	190	100	297	15	19	2
MBW 73	470	415	390	416	821	185	197	135	288	10	85	10

Dimensions in mm

Benefits



Minimum clearance between screw flight and feeder pipe ensuring high accuracy feeding



Quick cleaning due to non-stick SINT® engineering polymer and quick access panel



Short delivery time



Easy and quick maintenance due to low number of components



Cavity for injection of compressed air to improve self-cleaning



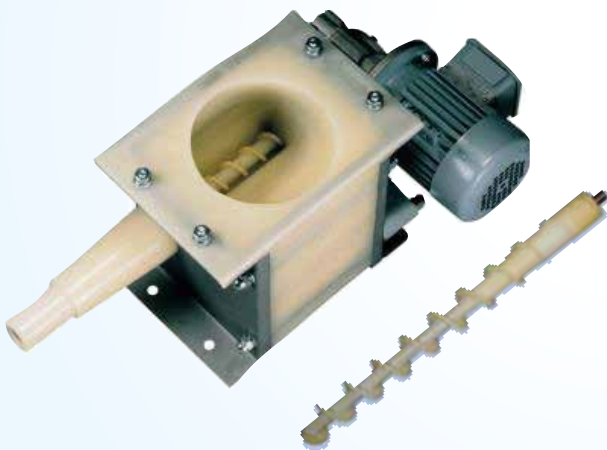
Excellent price-performance ratio



Technical support and worldwide availability of spare parts thanks to the WAMGROUP® subsidiary network

Technical Features

- SINT® engineering polymer body manufactured from a casting process, complete with stainless-steel end plates
- Internal body geometry ensuring free material flow
- Wide range of interchangeable SINT® engineering polymer or stainless-steel feeder tools
- Minimum clearance between screw flight and feeder pipe
- Cavity for injection of compressed air
- High resistance to abrasion and corrosion
- Wide range of interchangeable components



Accessories

- Mechanical Speed Variator



- Pneumatic Activator



- Feed Hopper



Application



203001743 April 2021 Rights reserved to modify technical specifications.

This brochure has been edited for distribution in European Union countries.



www.wamgroup.com