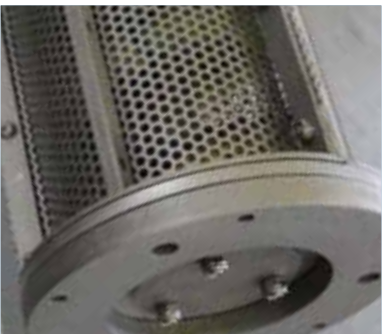


# In-channel Vertical Screw Screen WASTEMASTER GCEV



## DEEP CHANNEL DESIGN

WASTEMASTER GCEV is a Vertical Screw Screen designed for application in deep channels with a high upfront water stream.

WASTEMASTER GCEV carries out solids-liquid separation with great efficiency de-watering and compacting (option) the solids in a special discharge module.

By providing continuous cleaning of the screen, special brushes on the outside diameter of the screw flight optimise separation efficiency.

The great flexibility of WASTEMASTER Screw Screens by SPECO® makes them the ideal choice in a variety of applications for intermittent operation.

### Technical Features

- For both municipal and industrial solids-liquid separation of effluents
- All fabricated parts in 304L / 316L stainless steel
- Screw in 304 L / 316 L stainless steel or special high-resistance steel
- Flight brushes for continuous cleaning of the screen
- Screens in different mesh sizes (2, 3, 5, 6 or 10 mm)
- Great versatility of application due to wide range of accessories



Pipe washing system



Highly efficient outlet spout in SINT® engineering polymer



Inlet screen



Shaftless screw with fixed centre pipe



MODEL	SCREEN HEIGHT [mm]	FLOW RATE (2 mm) [l/s]	FLOW RATE (3 mm) [l/s]	FLOW RATE (5 mm) [l/s]	FLOW RATE (6 mm) [l/s]	FLOW RATE (10 mm) [l/s]	SOLIDS EXTRACTION [dm <sup>3</sup> /s]
GCEV 200	750	15	22	26	28	30	0.22
GCEV 300		22	26	28	30	32	0.22
GCEV 500		28	30	34	35	38	0.35
GCEV 200	1,000	20	26	30	31	34	0.22
GCEV 300		26	30	33	35	38	0.22
GCEV 500		33	35	38	40	45	0.35
GCEV 200	1,250	25	30	34	35	38	0.22
GCEV 300		30	34	36	38	40	0.22
GCEV 500		37	39	40	44	50	0.35

Note: Values related to clean water

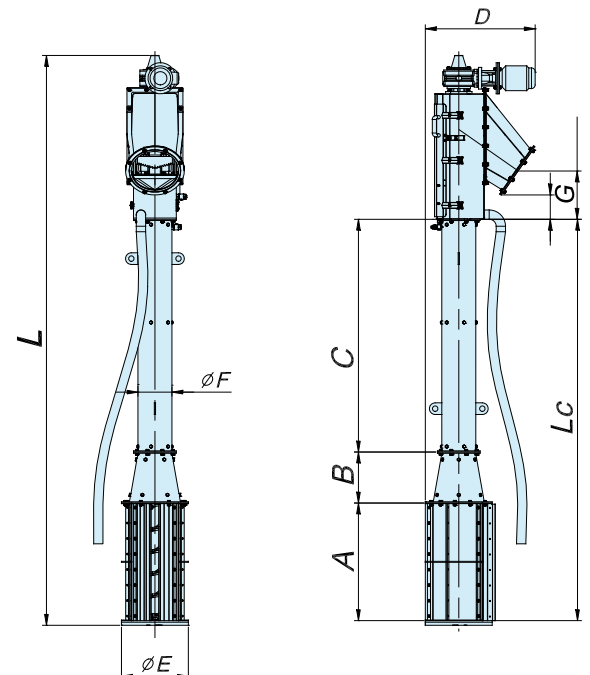
## Benefits

- ✓ Easy to install;
- ✓ High versatility due to large number of versions;
- ✓ No particular inspection or frequent maintenance required;
- ✓ Modular design enabling easy access and parts replacement;
- ✓ Outlet installation angle according to customers' request (90° steps);
- ✓ Up to 40% solids volume reduction (option).

## Overall Dimensions

MODEL	A (mm)	B (mm)	C (mm)	D (mm)	E (mm)	F (mm)	G* (mm)	Lc (mm)	L (mm)
GCEV 200	750	\	1,500 ∴ 4,000	680	275	219	311	2,250 ∴ 5,250	3,340 ∴ 6,340
	1,000								
	1,250								
GCEV 300	750	330	1,500 ∴ 4,000	710	431	219	311	2,580 ∴ 5,580	3,670 ∴ 6,670
	1,000								
	1,250								
GCEV 500	750	740	1,500 ∴ 4,000	970	651	273	378	2,990 ∴ 5,990	4,310 ∴ 7,310
	1,000								
	1,250								

\* G is equal to 0 mm in case of unit without compaction module



Dimensions in mm

## Accessories

- Bag clamping system
- Endless Hose
- Horizontal bracket kit
- Collar

# Application



203001334 April 2018 Rights reserved to modify technical specifications.

This brochure has been edited for distribution in European Union countries



**SAVECO**<sup>TM</sup>  
Member of WAMGROUP<sup>®</sup>



[www.saveco-water.com](http://www.saveco-water.com)