

Waste Water Mini-Treatment Plant WASTEMASTER MIT



WASTE WATER MINI-TREATMENT PLANT

WASTEMASTER MIT Mini-Treatment Plant carries out up to 3 different processes with the smallest ever overall dimensions:

- 1) Screening
- 2) De-gritting
- 3) De-greasing

Waste water from both municipal and industrial plants can be equally treated.

For this system two highly innovative technologies have been introduced:

- A screw screen (CT) equipped with a screw in SINT® engineering polymer;
- A floating screw system in SINT® engineering polymer for removal of floating matter.

The WASTEMASTER MIT treatment plant can be optionally equipped with electric and electronic components (control panel, acoustic and visual malfunction alarm) to ensure problem-free operation during both waste material discharge and work cycle of the machine. Besides to municipal treatment plants, this machine is particularly suitable for applications with limited space, such as car wash facilities and small industrial treatment plants.

Technical Features

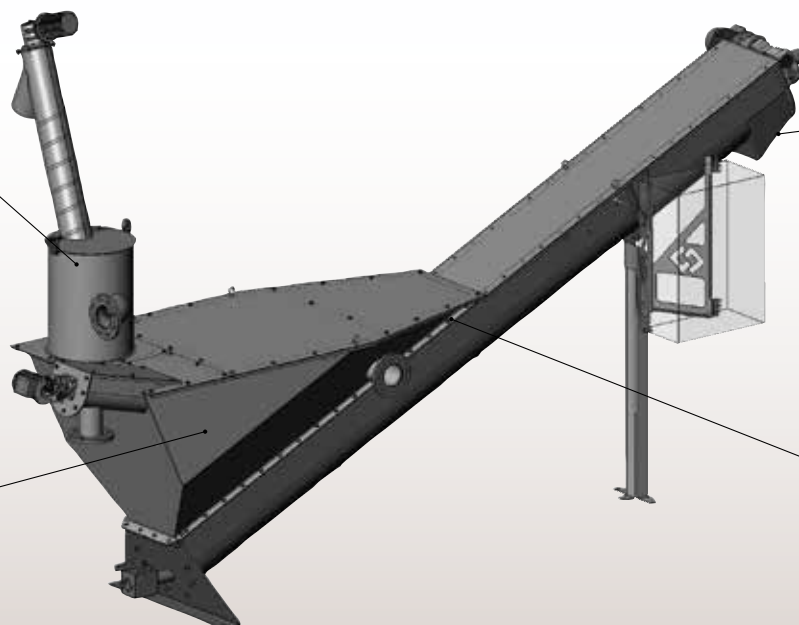
- Sturdy metal framework, manufactured entirely from 304 L / 316 L SS
- SINT® engineering polymer screw with zero clearance between screw and screen, thus avoiding obstruction of the screen perforation;
- Heavy-duty shaftless screw manufactured from wear-resistant carbon or 304 L / 316 L stainless steel;
- Floating screw manufactured from SINT® engineering polymer ensuring high degree of removal of floating matter;
- Equipped with optional electric and electronic components;
- Sewage throughput: up to 8 l/s



Mini-Screw Screen
WASTEMASTER CT



Floating Screw System



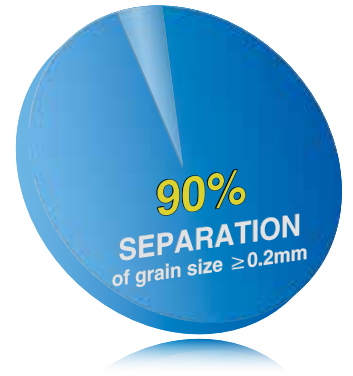
Sand Washing



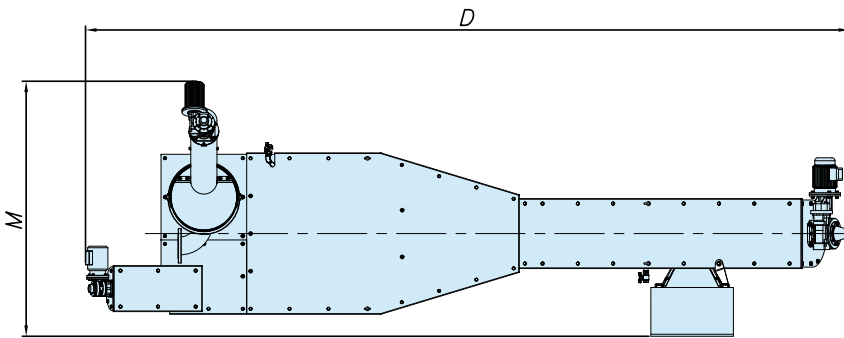
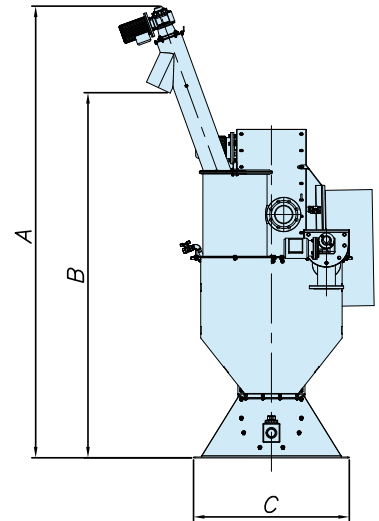
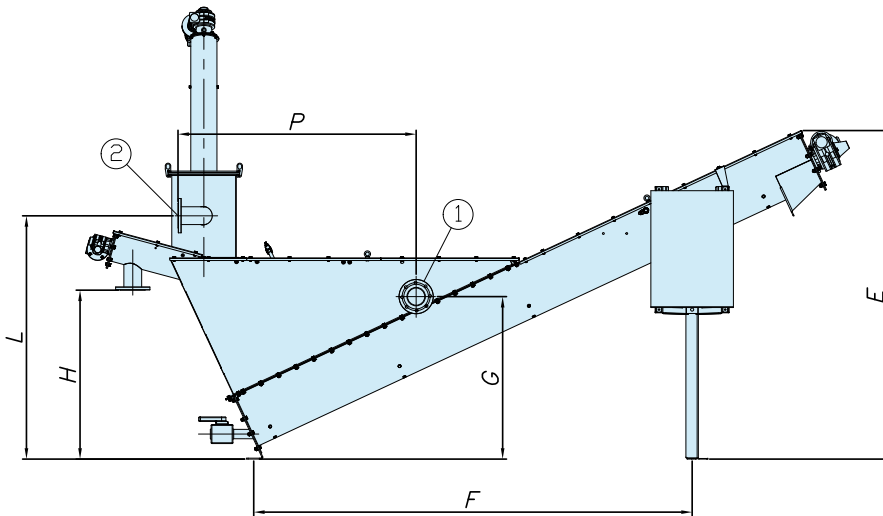
Air Injection

Benefits

- ✓ Screening, de-gritting, de-greasing, in a single unit;
- ✓ High separation performance;
- ✓ Easy installation, low maintenance, low operating costs;
- ✓ Odour-free;
- ✓ No civil works required;



Overall Dimensions



MODEL	A	B	C	D	E	F	G	H	L	M	P	Flange ① UNI	Flange ② UNI
MIT	2,915	2,345	1,000	4,890	2,100	2,815	1,043	1,084	1,560	1,637	1,530	DN100	DN100

For reference only: for detailed drawings please contact the Manufacturer

Dimensions in mm

Accessories

- Solenoid Valves

Application



203001344 April 2018 Rights reserved to modify technical specifications.

This brochure has been edited for distribution in European Union countries



SAVECOTM
Member of WAMGROUP[®]



www.saveco-water.com