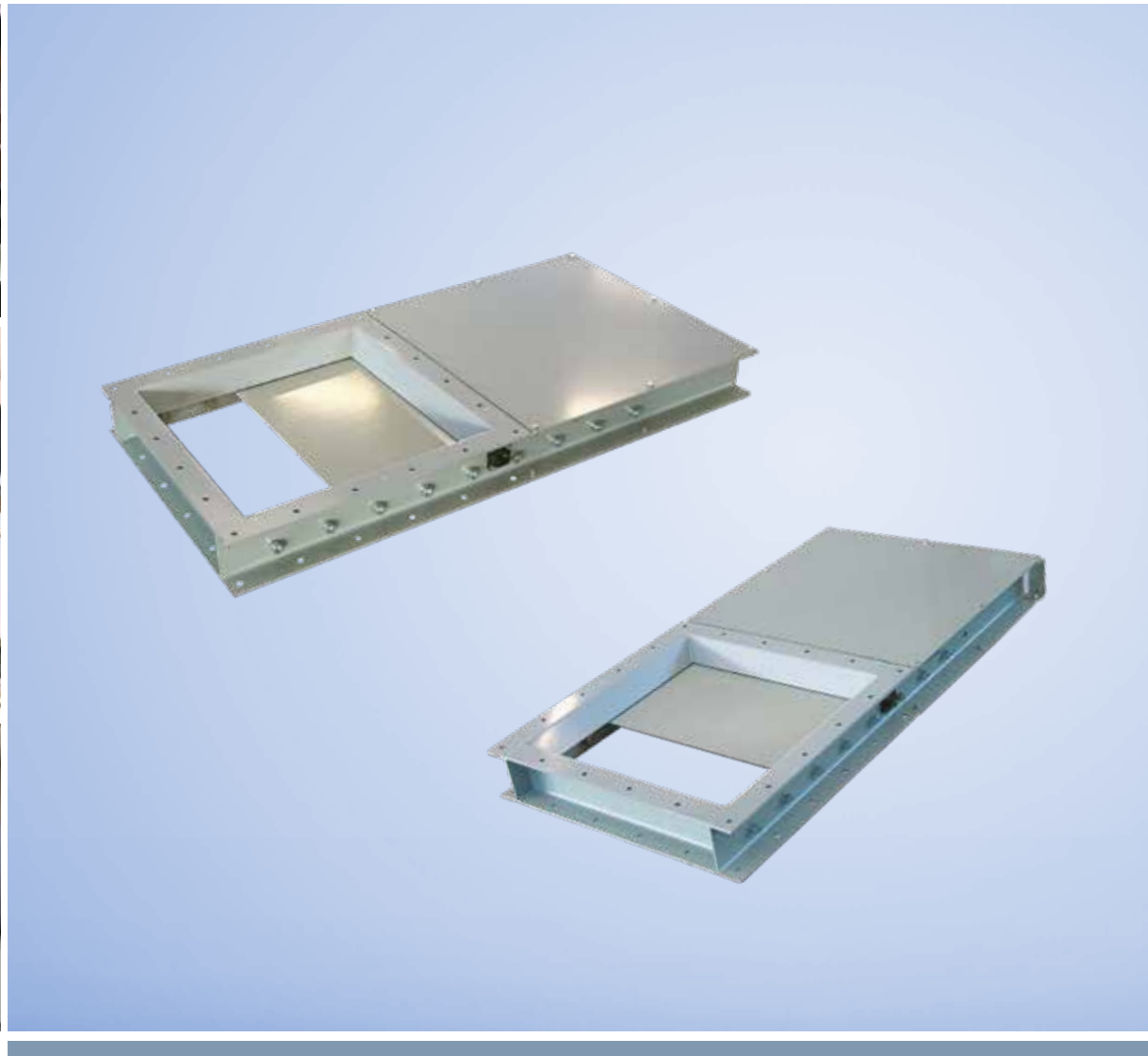


Slide Gate Valves VG



THE APPROPRIATE SOLUTION FOR HEAVY-DUTY APPLICATIONS

VG Slide Gate Valves are appropriate for all heavy-duty applications where interception of material flow by gravity is required. The valves are mounted at the outlets of hoppers, bins, silos, mechanical conveyors, or at the inlet of loading bellows. VG Slide Gate Valves are suitable for virtually all industrial sectors including the food industry.

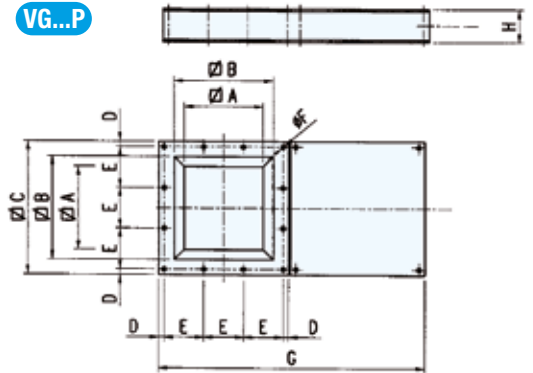
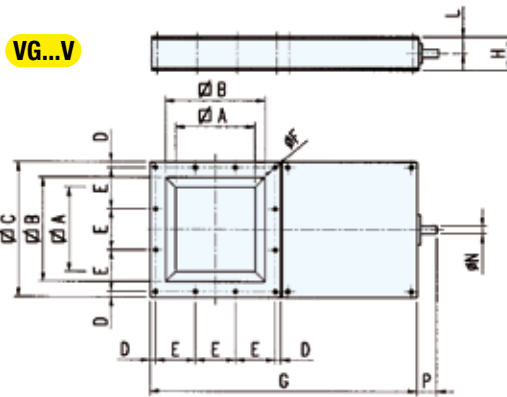
The valves are entirely manufactured from mild steel or stainless steel. Safe material interception and excellent durability are guaranteed. They are available in various configurations. In the VG-version they come with a square cross section, in the VGR version the cross section is rectangular.

Overall Dimensions

V-type: for manual and electric actuators

P-type: for pneumatic actuators

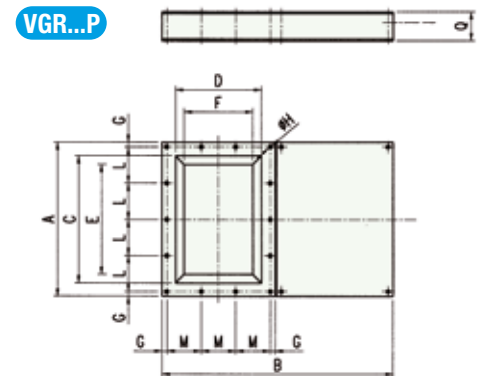
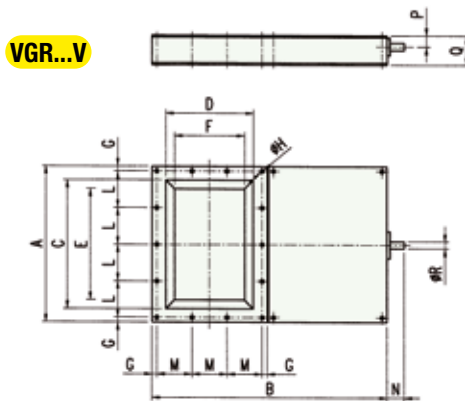
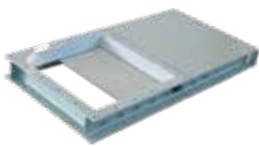
SQUARE CROSS SECTION



TYPE	A	B	C	D	E	E Nr	Ø F	Ø Bolts	G	H	L	Ø N DIN 5482	P	kg	
														VG...V	VG...P
VG 0500..	450	525	653	26.5	120	15	15.5	M 12	1,300	133	35	28 X 25	60	89	87
VG 0600..	550	625	753	26.5	140	15	15.5	M 12	1,500	133	35	28 X 25	60	110	104
VG 0700..	650	725	895	35.0	165	15	15.5	M 12	1,720	133	35	28 X 25	60	135	128
VG 0800..	750	825	995	35.0	185	15	23.0	M 12	1,920	133	35	28 X 25	60	180	172
VG 1000..	950	1,025	1,235	40.0	165	15	18.0	M 12	2,340	133	35	28 X 25	60	240	230

Dimensions in mm

RECTANGULAR CROSS SECTION



TYPE	A	B	C	D	E	F	G	Ø H	Ø Bolts	L	L Nr	M	M Nr	N	P	Q	Ø R DIN 5482	kg	
																		VGR...V	VGR...P
VGR 0150..	346	538	260	175	204	119	15.5	12.5	M 10	105	3	115.0	2	50	72	133	22 X 19	25	23
VGR 0200..	423	638	337	225	281	169	15.5	12.5	M 10	98	4	93.3	3	50	72	133	22 X 19	32	30
VGR 0250..	495	738	409	275	353	219	15.5	12.5	M 10	116	4	110.0	3	50	72	133	22 X 19	39	37
VGR 0300..	590	858	484	325	428	269	23.0	12.5	M 10	136	4	128.3	3	50	72	133	22 X 19	50	47
VGR 0350..	666	958	560	375	504	319	18.0	12.5	M 10	90	7	89.0	5	50	72	133	22 X 19	59	56
VGR 0400..	747	1,089	639	425	565	351	16.5	12.5	M 10	102	7	100.0	5	50	72	133	28 X 25	85	80

Dimensions in mm

Benefits



Highly reliable



Durable



Small number of parts makes maintenance easy



Short delivery time



Quick and easy maintenance



Technical support and worldwide availability of spare parts thanks to the WAMGROUP® subsidiary network

Features

- Mild-steel or stainless-steel valve frame and blade
- Powder-coated mild-steel frame
- Sizes of up to 1,000 x 1,000 mm (3.3 x 3.3 ft)
- Interchangeable actuators: manual, pneumatic or electric gear motor
- Inlet shaft deflecting material away from seals and blade bearings reducing wear



Industries



Animal Feed Milling



Plastics Processing



Dry-Mix Processing



Flour Milling



Environmental Technology



Chemicals



Ceramics



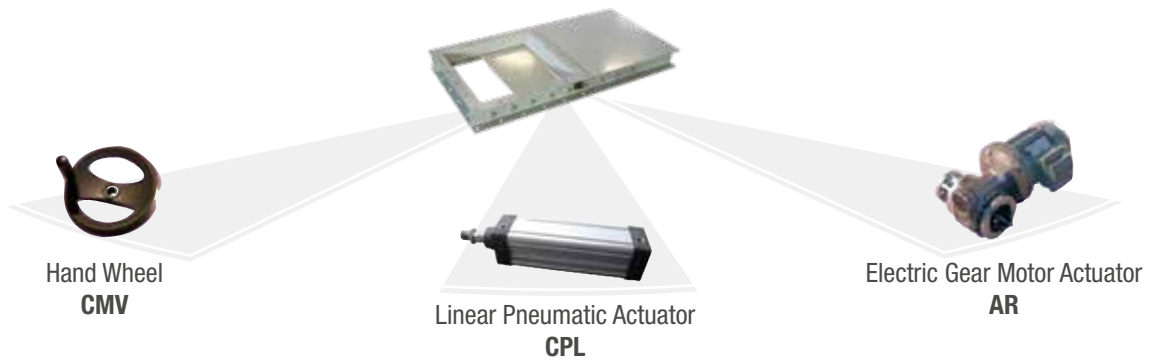
Glass Processing

Application



ACTUATOR COMPATIBILITY

For further details refer to Technical Catalogue



203001750 April 2021 Rights reserved to modify technical specifications.

This brochure has been edited for distribution in European Union countries.



www.wamgroup.com