

# Manual Bag Openers

## RSM



# DUST-CONTROLLED BAG EMPTYING

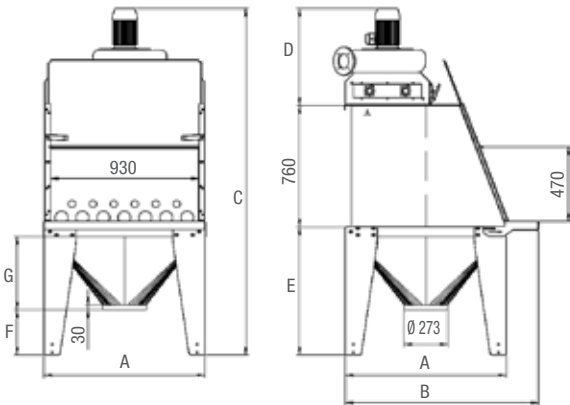
The mass-produced RSM Manual Bag Opener features an industrial design as a result of an in-depth assessment of user requirements in a number of industries.

The RSM Manual Bag Opener consists of a grille with a rest fitted on its front. The grille is mounted on a hopper supported by four feet. A fabricated hood with protective hatch fitted on its front covers hopper and grille. RSM Bag Openers are manufactured from high-quality materials with high finish grade and come with or without integrated de-dusting filter unit. In the version with integrated dust filter the filter elements are pneumatically air jet-cleaned.

The RSM can be connected with a BINSWEEP™ Rotary Bin Discharger for accurate, minimum-residue emptying of bulk solids and a COM Waste Bag Compactor for easy disposal of waste bags.



## Overall Dimensions



TYPE	A	B	C*	D*	E*	F**	G**
RSM 03	1,005	1,210	2,165	605	800	280	460

Dimensions in mm

\* Depending on the height of the filter elements and on the type of support feet

\*\* Depending on the hopper model

		Filter Elements				
		Type	Qty.	Height (mm)	Surface Area (m <sup>2</sup> )	Fan Power (kW)
Cartridges			14	520	12	0.75 / 1.10
				770	18	
				920	22	
Cylindrical Bags			14	520	3	0.75
				920	5	
				1360	8	
Elliptical Bags			18	520	4	0.75
				920	7	
				1360	10	

## Benefits



**Simple and clean solution for small-scale components**



**User-friendly, ergonomic design**




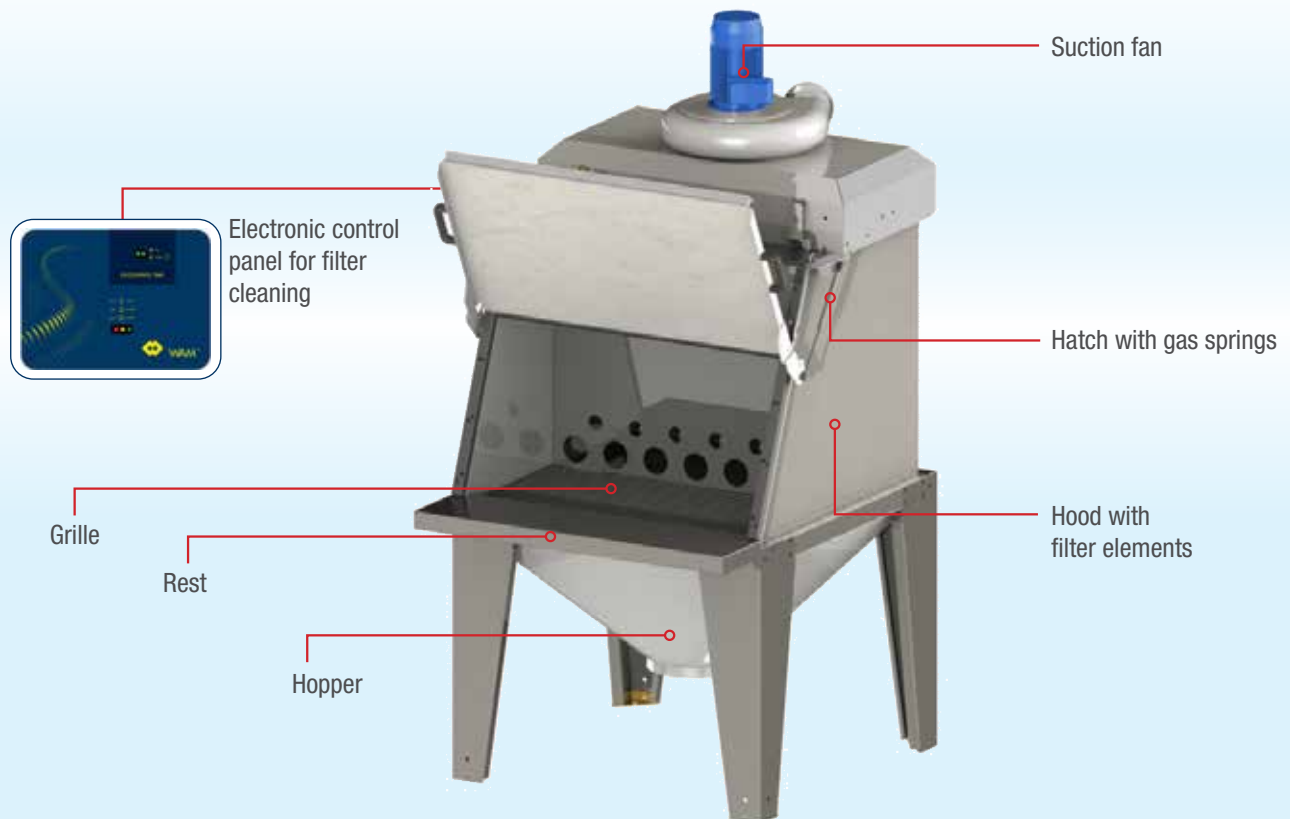
**Cleanliness in the work area and eco-friendly dust extraction**



**Technical support and worldwide availability of spare parts thanks to WAMGROUP® subsidiary network**

## Technical Features

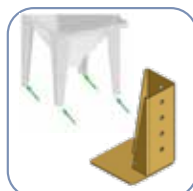
- Material: carbon steel, 304 L / 316 L stainless steel
- Available with integrated dust collector or equipped for centralised dust suction
- Filter element options: cartridges, round bags, elliptical bags
- Filter surface from 3 to 22 m<sup>2</sup> (32 to 237 sq ft)
- Dust collecting hoppers with different capacities
- Height-adjustable support feet
- Available in ATEX version, zone 22 
- Space-saving overall dimensions and compact user-oriented design
- Built-in fan-operated, air jet-cleaned, maintenance-friendly dust collector



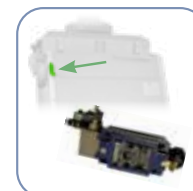
## Accessories



**Pneumatic vibrator for hopper**



**Height adjustment kit**



**Hatch sensor**

# Application



# Industries



Animal Feed Milling



Food Processing



Plastics Processing



Chemicals



Glass Processing



Paint and Varnish Processing



Environmental Technology



Drymix Processing



Ceramics Production



Foundries

203001008 May 2022 Rights reserved to modify technical specifications.



This brochure has been edited for distribution in European Union countries.



WAM®



TOREX®



MAP®



EXTRAC®



RONCUZZI®



FLITECH®



TECNO CM



SILOFAB



MVM



CHIOR®



SEPCOM



SPECO®



SAVI



SAVECO®  
Member of WAMGROUP

